

HDL-MPT2.48-A iTouch Series 2 Buttons Touch Panel EU  
 HDL-MPT4.48-A iTouch Series 4 Buttons Touch Panel EU

### Datasheet

Issued: June 11, 2019  
 Edition V1.0.0



Figure 1. iTouch Series 2 Buttons Touch Panel EU Figure 2. iTouch Series 4 Buttons Touch Panel EU

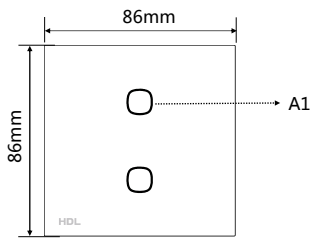


Figure 3 (Regular)

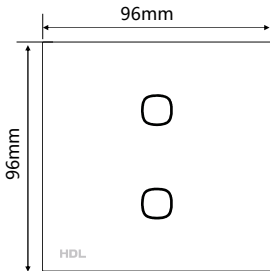


Figure 4 (Larger)

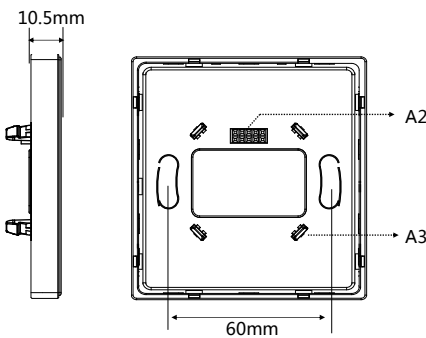


Figure 5

Figure 6

Figure 3 - 6. Dimensions

## Overview

iTouch Series 2/4 Buttons Touch Panel EU ( See Figure 1-2 ) is a multi-function control panel for home automation which supports various key control types. Every touch button is embedded with RGB LED indicator that can be customized via HDL Buspro Setup Tool.

## Functions

- Key modes: Single on/off, Single on, Single off, Combination on, Combination off, Combination on/off, Short/long press, Momentary, Short press/long press.
- Key control types: Scene, Sequence, Time switch, Universal switch, Single channel lighting control, Broadcast scene, Broadcast channel, Curtain switch, GPRS control, Panel control, Security module, Music control, etc.
- Bus voltage detection
- Adjustable status indicator color and brightness.
- Supports HDL Buspro online upgrading.
- Selectable touch panel color

## Important Notes

- The panel should be installed on the wall box.
- The panel should work in conjunction with the power interface.
- It is recommended to connect wires in hand-in-hand.
- Touch performance - Touch panel sensitivity should be adjusted after installation.
- Images are for reference only, and the actual products should prevail.

## Product Information

**Dimensions - See Figure 3 - 6**

**A1. Touch button function:** On/off, dimming.

**A2. Communication interface:** Connects to panel power interface.

**A3. Mounting slot:** Connects to panel power interface.

**Address modification:** Press any button for 15s, all the backlights will flash, the address of this device can be modified in HDL Buspro Setup Tool: submenu "address management-> address modify". Then press any button to exit.

### Product installation and disassembly

(Take HDL-MPT2.48-A as an example)

#### Installation - See Figure 7

Step 1. Install the wall box in the wall.

Step 2. Fix the power interface onto the wall box with screws.

Step 3. Hold the edge of the panel, and insert the panel in the slots of power interface vertically.

#### Disassembly - See Figure 8

Step 1. Insert a straight screwdriver into the gap between the panel and power interface.

Step 2. Hold the panel, pry up the panel gently and take down the panel.

## Safety Precautions

- The installation and commissioning of the device must be carried out by HDL or the organization designated by HDL. For planning and construction of electric installations, the relevant guidelines, regulations and standards of the respective country are to be considered.
- The device should be installed in wall box. HDL does not take responsibility for all the consequences caused by installation and wire connection that are not in accordance with this document.
- Please do not privately disassemble the device or change components, otherwise it may cause mechanical failure, electric shock, fire or body injury.
- Please resort to our customer service department or designated agencies for maintenance service. The warranty is not applicable for the product fault caused by private disassembly.

## Package Contents

HDL-MPT2.48-A or HDL-MPT4.48-A\*1 / Datasheet\*1

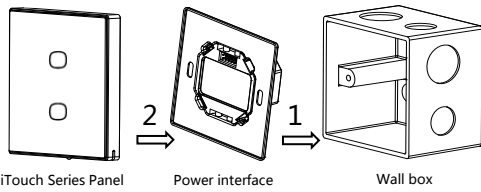


Figure 7. Installation

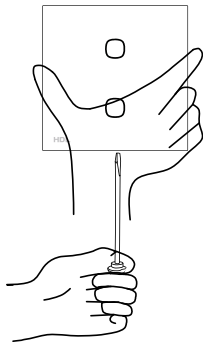


Figure 8. Disassembly

## Technical Data

### Basic Parameters

Working voltage	12~30V DC
Working current	20mA / 24V DC
Communication	HDL Buspro
Cable diameter of Buspro terminal	0.6-0.8mm

### External Environment

Working temperature	-5°C~45°C
Working relative humidity	≤90%
Storage temperature	-20°C~60°C
Storage relative humidity	≤93%

### Specifications

Dimensions	86×86×10.5(mm) (Regular) 96×96×10.5(mm) (Larger)
Net weight	Regular: 105g Larger: 137g
Housing material	Glass, PC, ABS, Aluminum
Installation	Wall box (See Figure 7)
Protection rating (Compliant with EN 60529)	IP20

### Name and Content of Hazardous Substances in Products

Components	Hazardous substances					
	Lead (Pb)	Mercury (Hg)	Cadmium (Cd)	Chromium VI (Cr (VI))	Poly-brominated biphenyls (PBB)	Poly-brominated diphenyl ethers (PBDE)
Plastic	o	o	o	o	o	o
Hardware	o	o	o	o	-	-
Screw	o	o	o	x	-	-
Solder	x	o	o	o	-	-
PCB	x	o	o	o	o	o
IC	o	o	o	o	x	x
Glass	o	o	o	o	o	o

The symbol “-” indicates that the hazardous substance is not contained.

The symbol “o” indicates that the content of the hazardous substances in all the homogeneous materials of the component is below the limit requirement specified in the Standard IEC62321-2015.

The symbol “x” indicates that the content of the hazardous substance in at least one of the homogeneous materials of the part exceeds the limit requirement specified in the Standard IEC62321-2015.

## HDL Buspro Cable Guide

HDL Buspro	HDL Buspro Cable
24V DC	Red
COM	Black
DATA-	White
DATA+	Yellow

#### Technical support

E-mail: [support@hdlautomation.com](mailto:support@hdlautomation.com)

Website: <https://www.hdlautomation.com>

©Copyright by HDL Automation Co., Ltd. All rights reserved.  
Specifications subject to change without notice.